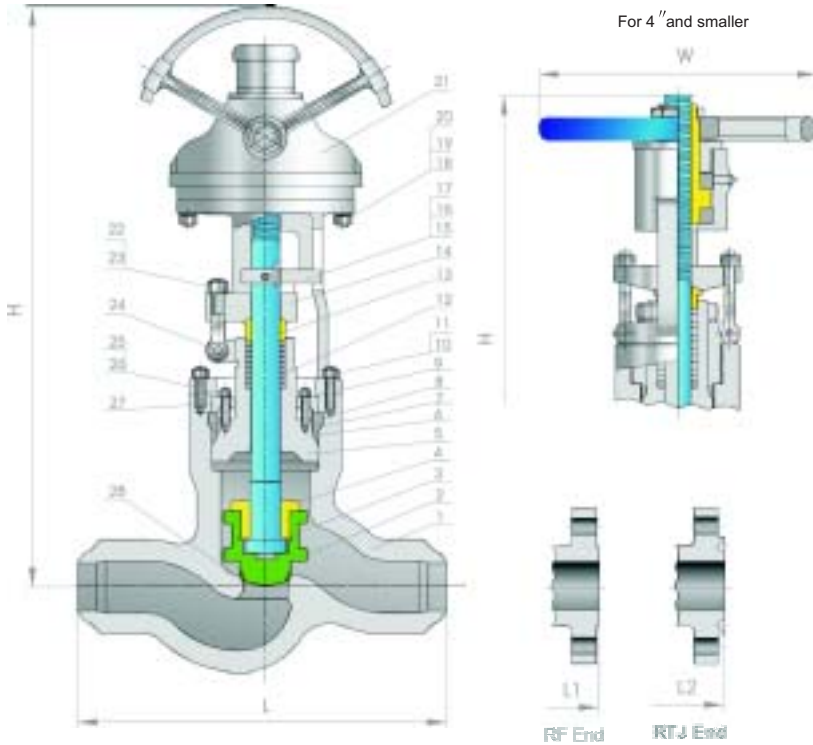




Cast Steel Pressure Seal Globe Valves

Class 900/1500/2500

Pressure seal bonnet, Outside screw and yoke, Rising stem, Plug type disc.



Parts List

No:	Parts	Material
1	Body	ASTM A216 Gr.WCB
2	Disc	ASTM A105+13Cr
3	Stem	ASTM A182 F6a
4	Disc nut	ASTM A276 410
5	Bonnet	ASTM A216 Gr.WCB
6	Sealing ring	ASTM A182 F304
7	Spacer ring	ASTM A182 F6a
8	Segment ring	ASTM A182 F6a
9	Yoke	ASTM A216 Gr.WCB
10	Bolt	ASTM A193 Gr.B7
11	Nut	ASTM A194 Gr.2H
12	Packing	Graphite
13	Gland	ASTM A276 410
14	Gland flange	ASTM A216 Gr.WCB
15	Pin	C.S.
16	Bolt	C.S.
17	Stem guide collar	C.S.
18	Bolt	C.S.
19	Nut	C.S.
20	Washer	C.S.
21	Gear box	Assem.
22	Gland bolt	ASTM A193 Gr.B7
23	Gland nut	ASTM A194 Gr.2H
24	Pin	ASTM A276 410
25	Bonnet bolt	ASTM A193 Gr.B7
26	Bonnet nut	ASTM A194 Gr.2H
27	Supporting plate	ASTM A105
28	Seat surface	STL No.6

Features

- End to end and face to face dimension : ASME B16.10
- Flange dimension : ASME B16.5
- Shell wall thickness:API 600
- B.W. End to ASME B16.25

Dimensions and Weights

	Valve Size	in. mm	2	2 1/2	3	4	6	8
			50	65	80	100	150	200
900lb	L-L1 (BW-RF)	in. mm	14.5 368	16.5 419	15 381	18 457	24 610	29 737
	L2 (RTJ)	in. mm	14.62 371	16.62 422	15.12 384	18.12 460	24.12 613	29.12 740
	H (open)	in. mm	21.65 550	23.82 605	26.70 678	31.42 798	36.61 930	49.61 1260
	W	in. mm	13.78 350	13.78 350	15.75 400	17.72 450	18.03 458	24 610
	WT (kg)	RF BW	76 64	106 89	100 85	140 126	388 353	958 866
	1500lb	L-L1 (BW-RF)	in. mm	14.5 368	16.5 419	18.5 470	21.5 546	27.75 705
L2 (RTJ)		in. mm	14.62 371	16.62 422	18.62 473	21.62 549	28 711	33.13 842
H (open)		in. mm	21.65 550	23.82 605	34.10 866	37.64 956	49.61 1260	49.72 1263
W		in. mm	15.75 400	15.75 400	17.72 450	22.05 560	24 610	24 610
WT (kg)		RF BW	83 75	108 99	132 120	228 207	658 593	1588 1438
2500lb		L-L1 (BW-RF)	in. mm	17.75 451	20 508	22.75 578	26.50 673	36 914
	L2 (RTJ)	in. mm	17.87 454	20.25 514	23 584	26.88 683	36.50 927	40.87 1038
	H (open)	in. mm	22.05 560	28.35 720	29.72 755	48.43 1230	70.51 1791	82.13 2086
	W	in. mm	15.75 400	17.72 450	22.05 560	12.2 310	24 610	30 760
	WT (kg)	RF BW	138 98	166 116	245 178	618 436	1498 1146	3198 2592